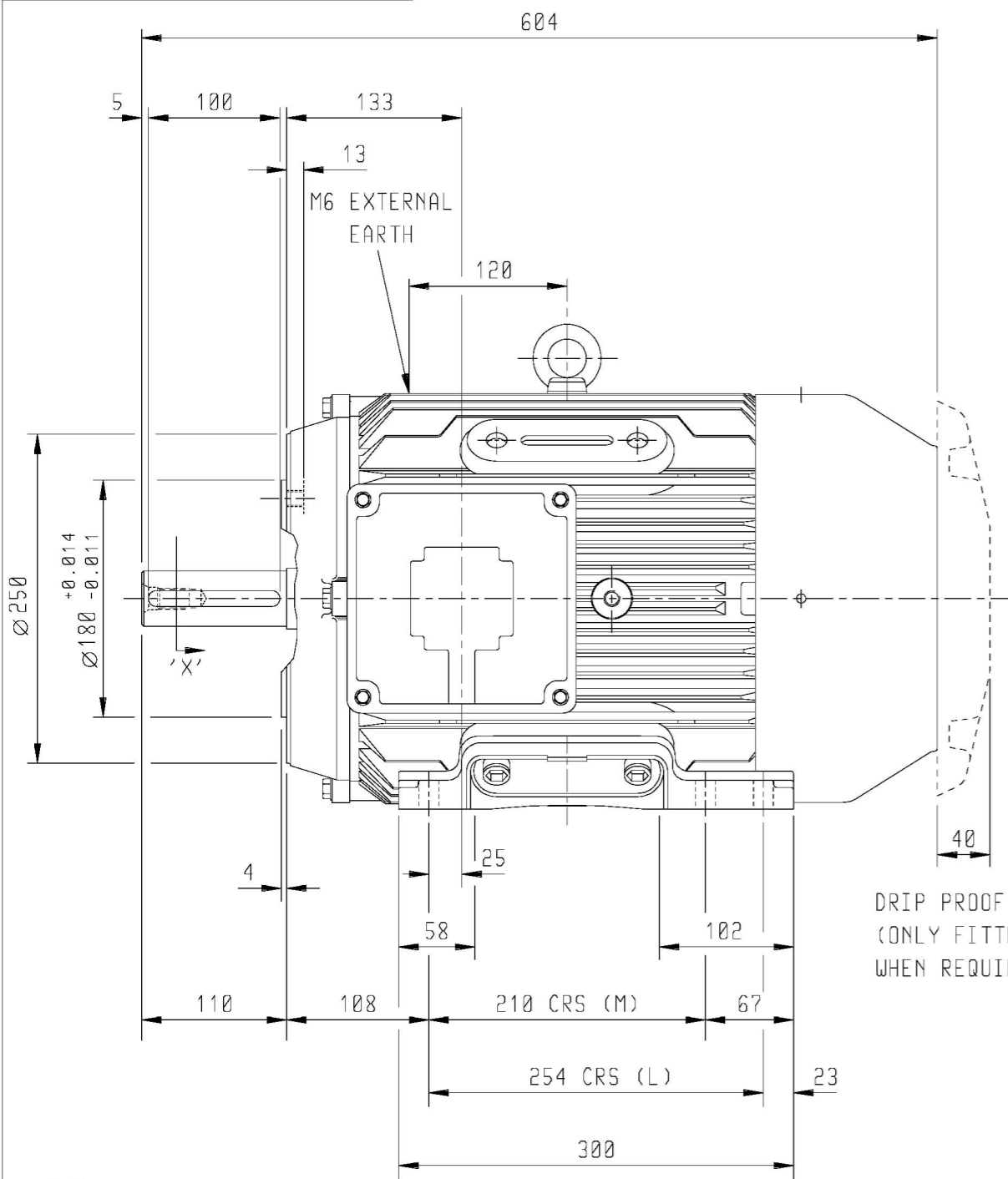
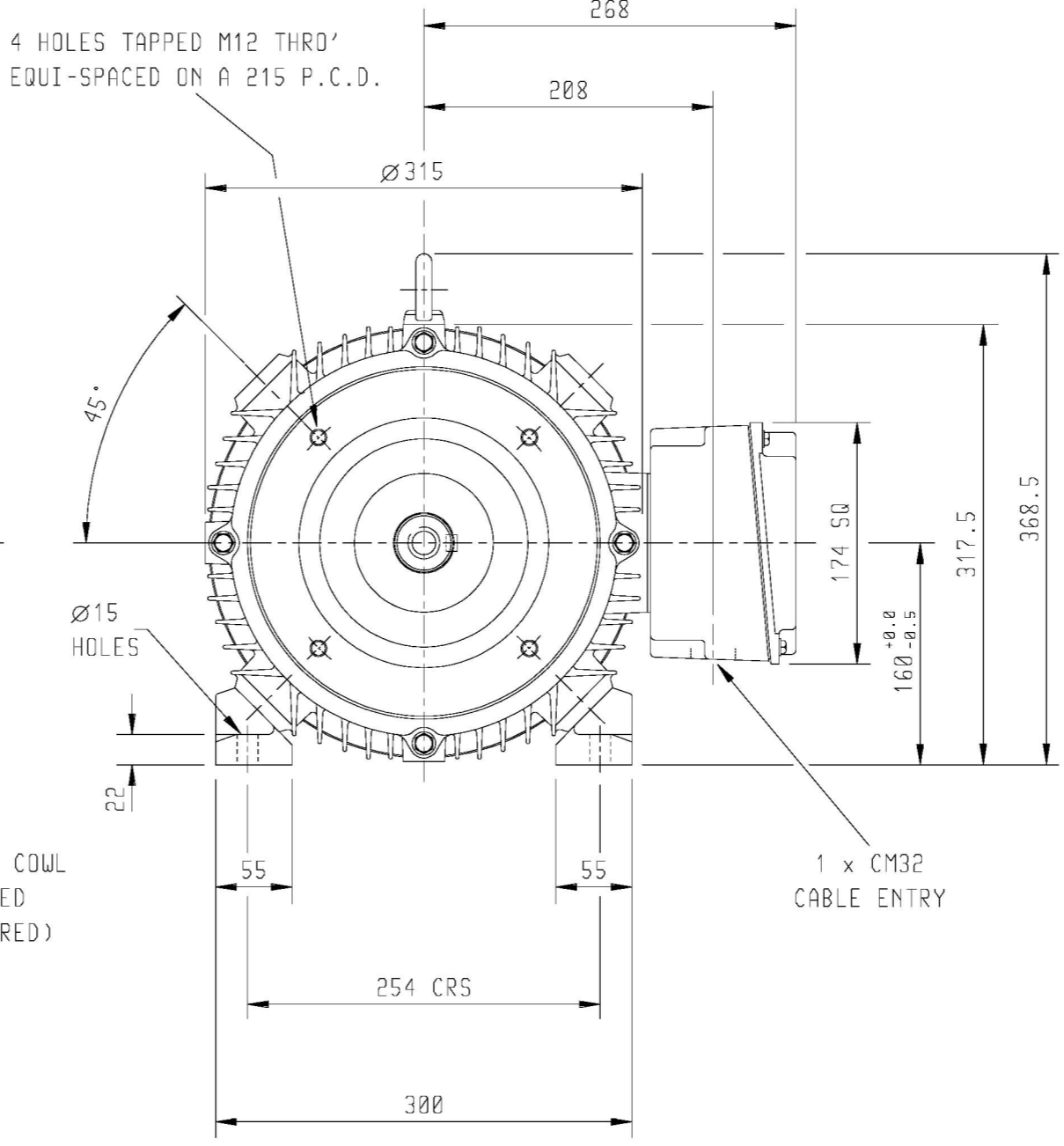


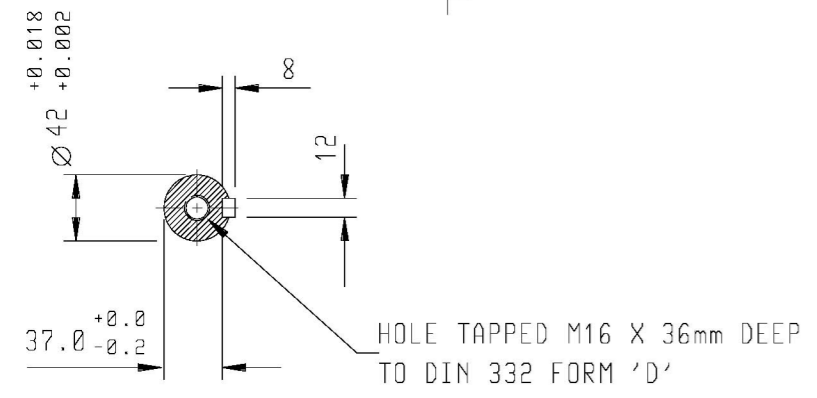
DRG. No.
 DRG. REF.



4 HOLES TAPPED M12 THRO'
 EQUI-SPACED ON A 215 P.C.D.



DRIP PROOF COWL
 (ONLY FITTED
 WHEN REQUIRED)



VIEW ON 'X'

| | | |
|-----------------|-------|------|
| CUSTOMER | | |
| ORDER No. | | |
| PART No. | | |
| OUR ORDER No. | | |
| FRAME SIZE | | |
| KW. | RPM. | |
| Hz | PHASE | |
| VOLTS | POLES | |
| BRGS. | DE. | NDE. |
| MOTOR NETT WT. | | Kg. |
| SPECIAL REMARKS | | |

ALL DIMENSIONS IN MILLIMETRES.



DRAIN HOLES:- WHEN TERMINAL BOX IS MOVED FROM STANDARD POSITION THEY WILL NEED TO BE PLUGGED AND RE-LOCATED ELSEWHERE - IF REQUIRED
 TERMINAL BOX POSITION : - CAN BE ARRANGED AT EITHER 9, 12 OR 3 O'CLOCK BY MOVING FEET.
 STANDARD TERMINAL BOX POSITION IS 3 O'CLOCK AS SHOWN.
 CONDUIT ENTRIES:- TERMINAL BOX CAN BE ROTATED AT 90° INTERVALS (CONDUIT ENTRY POSITION SHOWN FOR ILLUSTRATION ONLY).

BROOK CROMPTON

| | | | | |
|-------------------------|---------|---|-------|------|
| SHEET SIZE A3 | TITLE | OUTLINE DIMENSION DRAWING W CAST IRON TOTALLY ENCLOSED FAN COOLED 160M/L FRAME FOOT AND FACE MOUNTED MOTOR | NAME | DATE |
| | DRAWN | | | |
| | CHECKED | | | |
| | SCALE | | 1 : 5 | |

| | |
|-----------|------|
| DRG. No. | |
| DRG. REF. | |
| REVISION: | DATE |